



David R. Flewelling
Specialist 2 Construction
Comcast Cable Communications
9 Forbes Road, Suite 9B
Woburn, MA 01801
Cell – 617-279-7864
dave_flewelling@comcast.com

July 29, 2021

Mr. Greg Lucey
City Clerk
Malden City Hall
215 Pleasant Street
2nd Floor – Room 220
Malden, MA 02148

RE: Comcast Grant of Location-Petition
120 Main Street Malden

Dear Mr. Lucey:

Enclosed please find materials supporting Comcast request for a grant of location from the City of Malden. The work associated with the attached petition is for the purpose of installing a new underground conduit system to provide the Comcast Service to number 120 Main Street in Malden.

For a more detailed description of the work please refer to the attached construction plans. I look forward to the opportunity to address this matter in further detail at the Malden City Council Meeting.

Should you have any questions or concerns, please feel free to contact me at (617) 279-7864.

Sincerely,

David R. Flewelling
Comcast
Specialist 2, Construction

Enclosure (4)

ORDER FOR CONDUIT LOCATION

In the City Council for the City of Malden, Massachusetts.

ORDERED:

That permission be and hereby is granted to Comcast Cable Communications Management LLC., to lay and maintain underground conduits and manholes, with the wires and cables to be placed therein, under the surface of the following public way or ways as requested in petition of said Company dated July 29,2021.

Main Street & Wigglesworth Street: Locating the existing Comcast Conduit in the sidewalk of Wigglesworth Street and placing a 24"x36" vault over the conduit. From the newly placed vault excavating to place (1) 4" PVC Conduit 158'+/_ to a proposed 24" x36" vault. Continuing from the vault 12' +/_ on to private property, to provide the Comcast Service to number 120 Main Street.

Also, that permission be and hereby is granted said Comcast to lay and maintain underground conduits, manholes, cables, and wires in the above or intersecting public ways for the purpose of making connections with such poles and buildings as it may desire for distributing purposes.

The foregoing permission is subject to the following conditions:

1. The conduits and manholes shall be of such materials and construction and all work done in such manner as to be satisfactory to the City Council or to such officers as it may appoint to the supervision of the work.
2. Said Company shall indemnify and save the City harmless against all damages, costs, and expense whatsoever to which the City may be subjected in consequence of the acts or neglect of said Company, its agents, or servants, or in any manner arising from the rights and privileges granted it by the City.
3. In addition, said Company shall, before a public way is disturbed for the laying of its wire or conduits, execute its bond in a penal sum of Fifty Thousand Dollars (\$50,000) (reference being had to the bond already on file with said City) conditioned for the faithful performance of its duties under this permit.
4. Said Company shall comply with the requirements of existing by-laws, and such as may hereafter be adopted governing the construction and maintenance of conduits and wires, so far as the same are not inconsistent with the laws of the Commonwealth.

I hereby certify that the foregoing order was adopted at a meeting of the City Council for the City of Malden, Massachusetts, held on the _____ day of _____ 2021.

(over)

City Clerk

We hereby certify that on _____, 2021, at _____ o'clock _____ M., at Malden, Massachusetts a public hearing was held on the petition of the Comcast for permission to lay and maintain underground conduits, manholes and connections, with the wires and cables to be placed therein, described in the order herewith recorded, that we mailed at least seven days before said hearing a written notice the time and place of said hearing to each of the owners of real estate determined by the last preceding assessment for taxation along the ways parts of ways upon which the Company is permitted to construct the lines said Company under said order. And that thereupon said order was duly adopted.

Malden City Council; Malden, Massachusetts

CERTIFICATE

I hereby certify that the foregoing is a true copy of a location order, and certificate of hearing with the notice adopted by the City Council for the City of Malden, Massachusetts, on the _____ day of _____ 2021, recorded with the records of location orders of said City, Book _____, Page _____. This certified copy is made under the provision of Chapter 166 of General Laws and any additions thereto or amendments thereof.

Attest:

City Clerk

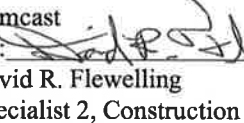
PETITION OF COMCAST FOR LOCACTION FOR CONDUITS AND MANHOLES

To the City Council for the City of Malden, Massachusetts:

Respectfully represents Comcast Cable Communications Management, LLC. a company incorporated for the distribution of broadband services, that it desires to construct a line for such broadband under the public way or ways hereinafter specified.

Main Street & Wigglesworth Street: Locating the existing Comcast Conduit in the sidewalk of Wigglesworth Street and placing a 24"x36" vault over the conduit. From the newly placed vault excavating to place (1) 4" PVC Conduit 158'+/_ to a proposed 24" x36" vault. Continuing from the vault 12' +/_ on to private property, to provide the Comcast Service to number 120 Main Street.

Wherefore, your petition prays that, after due notice and hearing as provided by law, the City Council may by Order grant your petitioner permission to construct, and a location for, such a line of conduits and manholes with the necessary wires and cables therein, said conduits and manholes to be located, substantially as shown on the plan made by Comcast. Dated July 28, 2021, and filed here with, under the public way or ways of said City of Malden.

Comcast
By: 
David R. Flewelling
Specialist 2, Construction

Dated this July 29, 2021

City of Malden Massachusetts

Received and filed _____, 2021



CITY OF MALDEN, MASSACHUSETTS
OFFICE OF THE BOARD OF ASSESSORS
GARY J. CHRISTENSON, MAYOR

NATE CRAMER, CHAIRMAN

KATHLEEN M. FRENCH, ASSESSOR
ROBERT DONNELLY, ASSESSOR

This is a certified list of Malden abutters for the property located at 120 MAIN STREET (Parcel ID 065 316 616) in accordance with the City's ordinance in place as of January 1, 2008. Below is a list of Ward Councilors and Councilors-at-Large. For your convenience we have checked the box next to your councilor's name.

	Police Chief Kevin Molis	794 Eastern Ave
<input checked="" type="checkbox"/>	Ward 1: Peg Crowe	9 Hancock Street
<input type="checkbox"/>	Ward 2: Paul Condon	52 Gale Street
<input type="checkbox"/>	Ward 3: Amanda Linehan	83 Blomerth Street
<input type="checkbox"/>	Ward 4: Ryan O'Malley	706 Main Street
<input type="checkbox"/>	Ward 5: Barbara M. Murphy	28 Forest Street
<input type="checkbox"/>	Ward 6: David M. Camell	35 Williams Street
<input type="checkbox"/>	Ward 7: Neal Anderson	56 Mills Street
<input type="checkbox"/>	Ward 8: Jadeane M. Sica	12 Cleveland Street

Councilors-at-large:

Steven Winslow	83 Jacob Street
Debbie A. DeMaria	144 Maple Street
Craig Spadafora	75 Elm Street

Date 07/14/2021

078 370 014
PEREZ PEDRO I
109 HIGH ST
MALDEN, MA 02148

078 370 015
CHEN SHUYI
93 ASHLAND ST
MALDEN, MA 02148

078 370 016
ANILUS MONTAS
97 ASHLAND ST
MALDEN, MA 02148

078 370 017
MALIK SHALINI
101-103 ASHLAND ST
MALDEN, MA 02148

078 370 018
BURKE JOSEPH M
105 ASHLAND ST
MALDEN, MA 02148

078 370 019
CASSEUS GEFFRARD
109 ASHLAND ST
MALDEN, MA 02148

078 370 020
CHEN ZHONGBIN
224 MAIN STREET
MALDEN, MA 02148

065 312 201
MALDEN CITY OF
215 PLEASANT STREET
MALDEN, MA 02148

065 312 202
LIU DONG
17 COOLIDGE RD
ARLINGTON, MA 02476

065 312 203
MULCAHY JOHN J III
66 MERIDIAN STREET
MALDEN, MA 02148

065 312 204
BROOKS MAUREEN P
62 MERIDIAN STREET
MALDEN, MA 02148

065 313 309
YU JIMMY MING
64 HOWARD ST
MELROSE, MA 02176

065 313 310
DEPINA JOAO P
4 SHAWMUT ST
MALDEN, MA 02148

065 313 311
MALDEN POST #69 AMERICAN LEGON
43 WIGGLESWORTH ST
MALDEN, MA 02148

065 313 312
WONG YIM CHI DONG KAI NIN
43 NEWELL ROAD
AUBURNDALE, MA 02466

065 313 314
SALAZAR AMERICO
53 WIGGLESWORTH STREET
MALDEN, MA 02148

065 315 501
DESRIVIERE JEAN E
36 BRACKENBURY ST
MALDEN, MA 02148

065 315 502
MOTA FERNANDO
30 BRACKENBURY STREET
MALDEN, MA 02148

065 315 503
RAM DANIEL
26 BRACKENBURY STREET
MALDEN, MA 02148

065 315 504
MUSYAJU SULOCHANA
24 BRACKENBURY ST
MALDEN, MA 02148

065 315 505
HOLNESS LAUREN E
20 BRACKENBURY STREET
MALDEN, MA 02148

065 315 506
TRUSCELLO MARGARET A
18 BRACKENBURY STREET
MALDEN, MA 02148

065 315 507
SINGH BHUPAL
14 BRACKENBURY ST
MALDEN, MA 02148

065 315 508
MORRISON MARY E TRUSTEE
86 FRANKLIN STREET
PEABODY, MA 01960

065 315 509
RUSSO JOHN J
6 BRACKENBURY STREET
MALDEN, MA 02148

065 315 510
HEGARTY EDWARD J
2 BRACKENBURY STREET
MALDEN, MA 02148

065 315 511
CORREIA ANTONIO
44 WIGGLESWORTH ST
MALDEN, MA 02148

065 315 512
LAM MANI KI LAM YUK LEE TRS
42 WIGGLESWORTH ST
MALDEN, MA 02148

065 315 513
COFFIN ROY M
40 WIGGLESWORTH ST
MALDEN, MA 02148

065 315 514
GLAUDE SERA J
36 WIGGLESWORTH STREET
MALDEN, MA 02148

065 315 515
JIANG JOYCE
7-9 JAMES ST
MALDEN, MA 02148

065 315 516
BUCCI ANITA R
15 RICHARDS RD
LYNNFIELD, MA 01940

065 315 517
DOANE GALE A RAY D TRS
47 CRAIGIE STREET
SOMERVILLE, MA 02143

065 315 519 1
SOHM KATHERINE
25-1 JAMES STREET
MALDEN, MA 02148

065 315 520
DO KY
103 OAKLAND ST
MALDEN, MA 02148

065 315 521
ARAUJO MANUEL G
39 MEDFORD STREET
MALDEN, MA 02148

065 315 522
DEVLIN DENIS F
43 MEDFORD ST
MALDEN, MA 02148

065 315 523
DELEON CARLOS
53 MEDFORD ST
MALDEN, MA 02148

065 315 524
CHEN MARY
47 49 MEDFORD STREET
MALDEN, MA 02148

065 316 601
SHORT MICHAEL A JR
37 MEDFORD STREET
MALDEN, MA 02148

065 316 602
NEGUSSIE MEKURIA AYLEW
1048 MAIN STREET APT 5
MALDEN, MA 02148

065 316 603
SAMEDY SOEURETTE
26-28 JAMES ST
MALDEN, MA 02148

065 316 604
ADOLPHE JUDITH
22 JAMES ST
MALDEN, MA 02148

065 316 605
BENDETSON RICHARD K TRUSTEE
63 ATLANTIC AVE
BOSTON, MA 02110

065 316 608
NICHOLAS JOSEPH A
6 JAMES STREET
MALDEN, MA 02148

065 316 609
KEOGH WILLIAM
26 WIGGLESWORTH ST
MALDEN, MA 02148

065 316 610
WUDARCZYK RACHEL
85 DRAPER ST #2
DORCHESTER, MA 02122

065 316 611
GROVER DANIEL LEE III
22A WIGGLESWORTH ST
MALDEN, MA 02148

065 316 612
TAN PETER L
20 WIGGLESWORTH STREET
MALDEN, MA 02148

065 316 613
XIE THOMAS
14 WIGGLESWORTH ST
MALDEN, MA 02148

065 316 614
KELLEY LEE
10 WIGGLESWORTH STREET
MALDEN, MA 02148

065 316 615
148 MAIN STREET LLC
148 MAIN STREET
MALDEN, MA 02148

065 316 617
MALDEN CITY OF
215 PLEASANT STREET
MALDEN, MA 02148

065 316 618
DINANNO ROCCO & SONS INC
118 MAIN ST
MALDEN, MA 02148

065 316 619
DINANNO ROCCO & SONS INC
118 MAIN ST
MALDEN, MA 02148

065 316 620
TAN WAN LING
104 REAR MAIN STREET
MALDEN, MA 02148

065 316 621
98-102 MAIN STREET LLC
148 MAIN ST
MALDEN, MA 02148

065 316 622
JACK & SEVEN ENTERPRISES LLC
31 FOREST CIRCLE
WINCHESTER, MA 01890

065 316 623
LAHENS MYRTHA
7 MEDFORD STREET
MALDEN, MA 02148

065 316 624
BRINCHEIRO VERGIL PAIS
16 SUMMER ST
MELROSE, MA 02176

065 316 625
DESILVA MATEUS D
15 MEDFORD ST
MALDEN, MA 02148

065 316 626
FODERA ENZA
32 COOLIDGE RD
MEDFORD, MA 02155

065 316 627
GUGLIEMI FULVIO
45 HOUGHTON RD
WILMINGTON, MA 01887

065 316 628
SANTOS WELITON
11 MEDFORD TERRACE
MALDEN, MA 02148

065 316 629
MARCIN EUNICE E
26A JAMES ST
MALDEN, MA 02148

065 316 630
ZHANG HUI SHI
12 MEDFORD TERR
MALDEN, MA 02148

065 316 631
GIRAULT MARIE O
29 MEDFORD STREET
MALDEN, MA 02148

065 316 632
FRANCOIS MARIE R TRS
33 MEDFORD ST
MALDEN, MA 02148

067 317 702
KINNON PAULA A
22 HOWARD ST
MALDEN, MA 02148

067 317 703
SUMMERILL LYNN A
18 HOWARD STREET
MALDEN, MA 02148

067 317 704
KWAN NANCY
12 HOWARD STREET
MALDEN, MA 02148

067 317 705
ZHU JIAN ZHU
10 HOWARD ST
MALDEN, MA 02148

067 317 706
BRIENZA PAOLO
14 MEDFORD ST
MALDEN, MA 02148

067 317 707 01
JOSAPHAT CARLINE
80 MAIN STREET UNIT 1
MALDEN, MA 02148

067 317 707 02
ORLOV ROMAN
80 MAIN ST # 2
MALDEN, MA 02148

067 317 707 04
XIONG MIMI ZHIMEI
17608 WEST WOOD DRIVE
SURPRISE, AZ 85388

067 317 707 05
CHEN TIE BING
42 MT VERNON ST
MALDEN, MA 02148

067 317 707 06
HORNSBY ALCUS
9 WINSOR RD
BILLERICA, MA 01821

067 317 707 07
SHERTER FAMILY LIMITED
30 BURDEN ROAD
NEWTON CENTRE, MA 02159

067 317 707 08
YEE DAK KEUNG
80 MAIN ST U#8
MALDEN, MA 02148

067 317 707 09
PETRILLO CLAUDE
11 JUNIPER DRIVE
SAUGUS, MA 01906

067 317 707 10
PETRILLO CLAUDE
11 JUNIPER DRIVE
SAUGUS, MA 01906

067 317 707 11
CHEN CUI LAN
80-11 MAIN ST
MALDEN, MA 02148

067 317 707 12
SHUMIE BEZUAYEHU WALLE
80-12 MAIN STREET
MALDEN, MA 02148

067 317 707 13
LABAZE NATASHA
80-13 MAIN ST
MALDEN, MA 02148

067 317 707 14
VIOLA ANTONIO
80 MAIN ST #14
MALDEN, MA 02148

067 317 707 15
BERARD LAUREN
80-15 MAIN ST
MALDEN, MA 02148

067 317 707 16
CLAVIJO OLGA
80-16 MAIN ST
MALDEN, MA 02148

067 317 707 17
LAPAIX VERONIQUE
80-17 MAIN ST
MALDEN, MA 02148

067 317 707 18
ZHANG ZHIMING
45 CEDAR ST
LEXINGTON, MA 02421

067 317 707 19
KIERNAN MARY T
80-19 MAIN STREET
MALDEN, MA 02148

067 317 707 20
KELLY JOANNE TR
80 MAIN ST U20
MALDEN, MA 02148

067 317 707 21
FESTA JOHN R JR
ONE FRANKLIN ST UNIT 2106
BOSTON, MA 02110

067 317 707 22
LIU DONG
17 COOLIDGE RD
ARLINGTON, MA 02476

067 317 707 23
PAPOULIDIS DEMETRIOS TRUSTEE
324 WASHINGTON STREET
ARLINGTON, MA 02474

067 317 707 24
LIU YIGUO
80-24 MAIN ST
MALDEN, MA 02148

067 317 707 25
PAPOULIDIS LOUKIA
152 OLD COLONY AVE
BOSTON, MA 02127

067 317 707 26
SU YITING
80-26 MAIN ST
MALDEN, MA 02148

067 317 707 27
KELLY JOANNE
80 MAIN ST U27
MALDEN, MA 02148

067 317 707 28
ELY BRIAN C
80 U-28 MAIN ST
MALDEN, MA 02148

067 317 707 29
YAU MAN YUNG
1136 CHESTNUT ST
NEWTON, MA 02464

067 317 707 30
DESOUZA CARMELITA BARRETO
80 MAIN ST U30
MALDEN, MA 02148

067 317 708
ADDONIZIO JOSEPH A
72-74 MAIN ST
MALDEN, MA 02148

067 317 709
MCCAFFERY JOHN & ROBERT J TR
199 PINE HILL ROAD
BERWICK, ME 03901

067 318 802
ROWLEY RALPH R JR
66 JAMES STREET
MALDEN, MA 02148

067 318 803
HATCH JUDITH A
62 JAMES ST
MALDEN, MA 02148

067 318 804
SHRESTHA GANESH
60 JAMES STREET
MALDEN, MA 02148

067 318 805
SCARAMUZZO VINCENT
54 JAMES STREET
MALDEN, MA 02148

067 318 806
SHAHI SIKINDAR
50 JAMES STREET
MALDEN, MA 02148

067 318 807
CHARLES LIONEL
46 JAMES ST
MALDEN, MA 02148

067 318 808
PLOUMIS NICK M & MARIA TRUSTEES
28 MEDFORD ST
MALDEN, MA 02148

067 318 809
CIULLA SCOTT R TRUSTEE
16 POCAHONTAS WAY
LYNNFIELD, MA 01940

067 318 810
MACNEIL MARY T
9 HOWARD STREET
MALDEN, MA 02148

067 318 811
ZHANG HUO
13 HOWARD ST
MALDEN, MA 02148

067 318 812
CARROLL SCOTT F
36 LYNN FIELDS PARKWAY
MELROSE, MA 02176

067 318 813
HAVIET JAMES
21 HOWARD STREET
MALDEN, MA 02148

067 319 904
THOMAS GERARDO
58-60 BRACKENBURY ST
MALDEN, MA 02148

067 319 905
HEISE SEBASTIAN
54 BRACKENBURY ST
MALDEN, MA 02148

067 319 906
BRACKENBURY REALTY LLC
148 MARBLE STREET UNIT 103
STONEHAM, MA 02180

067 319 907
WOODS CHARLES A
46 BRACKENBURY ST
MALDEN, MA 02148

067 319 908
RICHIE KEVIN
50 MEDFORD ST
MALDEN, MA 02148

067 319 909
PHAM KHOA
45 JAMES ST
MALDEN, MA 02148

067 319 910
LONDON APRIL E
49 JAMES ST
MALDEN, MA 02148

067 319 911
SANFILIPPO ANTHONY F
53 JAMES ST
MALDEN, MA 02148

067 319 912
FEDERICO ANGELO F TRS FEDERICO
CHILDRENS TRUST
24 VALLEY ROAD
STONEHAM, MA 02180

067 319 913
TAREKEGN YIHENEW
61 JAMES STREET
MALDEN, MA 02148

077 371 101
CORRADO ALESSANDRO
7 SYCAMORE LANE
SAUGUS, MA 01906

077 371 102
CORRADO ALLESANDRO J
7 SYCAMORE LANE
SAUGUS, MA 01906

077 371 103
SIDERI OSCAR
5A ENDICOTT RD
BOXFORD, MA 01921

077 371 103B
HUANG HAI FENG
172 WYLLIS AVE
MEDFORD, MA 02155

077 371 104
LERVANDAL JEAN JOSEPH
11 WILSON AVE
MALDEN, MA 02148

077 371 105
CONFORTI LUCILLE M TRUSTEE
15 WILSON AVENUE
MALDEN, MA 02148

077 371 106
LI QIHUA
17 WILSON AV
MALDEN, MA 02148

077 371 107
PHILIPPE VERONIQUE
7 PARSONAGE ROAD
MALDEN, MA 02148

077 371 108
TAM LIVIA SAUCHUN
9 PARSONAGE ROAD
MALDEN, MA 02148

077 371 109
CHENG KEVIN
3 DELTA TERRACE
MALDEN, MA 02148

077 371 110
WONG WINNIE CHING HAN
107 JUDSON STREET
MALDEN, MA 02148

077 371 111
PARKER PHILIP GALEBACH
111 JUDSON ST
MALDEN, MA 02148

077 372 201
VIEN KINH
95 JUDSON ST
MALDEN, MA 02148

077 372 202
LIN LU HONG
10-12 PARSONAGE RD
MALDEN, MA 02148

077 372 203
SILVA CARLOS PEREIRA
6-8 PARSONAGE ROAD
MALDEN, MA 02148

077 372 204
FST ENTERPRISES LLC
23-25 WILSON AVENUE
MALDEN, MA 02148

077 372 205
URQUIZA HUNBERTO
29 WILSON AV
MALDEN, MA 02148

077 372 206
FORERO LUIS E
33 WILSON AV
MALDEN, MA 02148

077 372 208
BAPTISTE HEROSE J
83 HIGH STREET
MALDEN, MA 02148

077 372 209
VIL ANGEMARIE ORPHA SAINT
85 HIGH STREET
MALDEN, MA 02148

077 372 210
CHEN JIMMY ZHI JIAN
87 HIGH ST
MALDEN, MA 02148

077 372 211
SLJUKA DARIO
85 JUDSON ST
MALDEN, MA 02148

077 372 212
HAGOS BIRHANE G
89 JUDSON ST
MALDEN, MA 02148

077 372 213
BOYSON ELIZABETH M
93 JUDSON STREET
MALDEN, MA 02148

077 373 301
LIU JIANG HUA
167 MAIN ST
MALDEN, MA 02148

077 373 302
LLOYD DOUGLAS M
171 MAIN STREET
MALDEN, MA 02148

077 373 313
WANG RUO JIE
20 WILSON AVE
MALDEN, MA 02148

077 373 314
JANEGA ANA
18-18A WILSON AVE
MALDEN, MA 02148

077 373 315
RAISBECK JAMES G
538 WESTFORD ST APT 3
LOWELL, MA 01851

077 373 316
VARIAN JAMES B
6 WILSON AV
MALDEN, MA 02148

078 354 401
SHEN YEJIE
4 ACORN STREET
MALDEN, MA 02148

078 354 402
VO DUONG VAN
81-83 MAIN STREET
MALDEN, MA 02148

078 354 403
COSTA FERNANDO
10 RAMSDELL WAY
LYNNFIELD, MA 01940

078 354 404
CATALDO NANCY E
85 MAIN STREET
MALDEN, MA 02148

078 354 405A
91-101 MAIN STREET LLC
148 MAIN ST
MALDEN, MA 02148

078 354 405B
91-101 MAIN STREET LLC
148 MAIN ST
MALDEN, MA 02148

078 354 406
7 CROSS STREET LLC
7 CROSS ST
MALDEN, MA 02148

078 354 409
MCDOWELL BRENDAN MCDOWELL
SHANNON TRS
100 MEDFORD ST APT 2
MALDEN, MA 02148

078 354 410
10-16 GREENWOOD COURT LLC
148 MAIN ST
MALDEN, MA 02148

078 354 411
ADEM KHALID TRS
9 KIMBALL CT SUITE 413
BURLINGTON, MA 01803

078 354 412
YOUNG RICHARD H
25 NARROW CT
MALDEN, MA 02148

078 354 413
MO DON
27 NARROW CT
MALDEN, MA 02148

078 354 414
ZE WEI LLC
135 HARRISON AV
WAKEFIELD, MA 01880

078 354 415
GARCIA ROBERTO
31 CROSS STREET
MALDEN, MA 02148

078 354 426
LOCHIATTO PASQUALE CONSTANCE A TRS
241 PERKINS ST D-204
BOSTON, MA 02130

078 354 427
CASTRINI FAITH
24 ACORN STREET
MALDEN, MA 02148

078 354 428
RYAN DANIEL P SR
2 ELMWOOD CT
MALDEN, MA 02148

078 354 429
SAINT-JEAN SOLANGE
20 ACORN STREET
MALDEN, MA 02148

078 354 430
BRASH TIMOTHY
11-15 ACORN CT
MALDEN, MA 02148

078 354 431
ROMERO KARLA
18 ACORN ST
MALDEN, MA 02148

078 354 432
WHITE CHRIS
16 ACORN CT
MALDEN, MA 02148

078 354 433
DIAZ TANYA COHAN
12 ACORN CT
MALDEN, MA 02148

078 354 434
FASULO FRANK J
14 ACORN STREET
MALDEN, MA 02148

078 354 435
LI XIAO YUN
10 ACORN ST
MALDEN, MA 02148

078 354 436
TOBIN ANN P
17 PINE ST
ARLINGTON, MA 02474

078 354 438
MCDOWEL BRENDAN MCDOWEL SHANNON
TRS
100 MEDFORD ST APT 2
MALDEN, MA 02148

078 369 902
BELLAVIA ROSEMARY E TRUSTEE
111 MAIN STREET
MALDEN, MA 02148

078 369 903
ABRANTES LOURENCO J
38 GILMAN STREET
SOMERVILLE, MA 02145

078 369 904
PHAM JIMMY PHAM KHOA NGOC &
114 ASHLAND ST
MALDEN, MA 02148

078 369 905
RAY DENISE N
112 ASHLAND ST
MALDEN, MA 02148

078 369 906
TAYLOR JUDITH A
108 ASHLAND STREET
MALDEN, MA 02148

078 369 907
MCDERMOTT MARTIN J & MARY A TR
42 TAMARACK ROAD
READING, MA 01867

078 369 908
ZHANG SUXIN
100-102 ASHLAND ST
MALDEN, MA 02148

078 369 909
HAMMERSLEY DAVID A & PAUL V TRUSTEES
90 ASHLAND ST
MALDEN, MA 02148

078 369 910
BEAUCICOT SADRAQUE & ALTIDA
117 HIGH ST
Malden, MA 02148

078 369 911
TSOI SO YING
119 HIGH ST
MALDEN, MA 02148

078 369 912
CANNATELLI FRANK L
107 SAMMETT ST
MALDEN, MA 02148

078 369 913
FALIERO JOANN
32 CROSS STREET
MALDEN, MA 02148

078 369 914
DE SA MANUEL F
28 CROSS ST
MALDEN, MA 02148

078 369 915
LI FENG
26 CROSS STREET
MALDEN, MA 02148

078 369 916
YU RINGO C & SHEUNG TR OF
412 CALIFORNIA STREET
NEWTON, MA 02160

078 369 917
THAI THANH TAN
18 CROSS ST
MALDEN, MA 02148

078 369 918
ZAMAGNI JOHN B
16 CROSS ST
MALDEN, MA 02148

078 369 919
LU LI FENG
12 CROSS ST
MALDEN, MA 02148

078 369 920
NGUYEN TRONG M VINCENT
8 CROSS STREET
MALDEN, MA 02148

078 370 001
SINGH MANJIT
123 MAIN STREET
MALDEN, MA 02148

078 370 002A
BUCKLEY CHRISTOPHER J
127 MAIN ST
MALDEN, MA 02148

078 370 002B
LAMA TSERING B
129 MAIN ST APT 2
MALDEN, MA 02148

078 370 003
SITU MELLY MIAOFEN
133 MAIN ST
MALDEN, MA 02148

078 370 004
KELERJIAN BENJAMIN C
135 MAIN STREET
MALDEN, MA 02148

078 370 005
ZHENG XIANGYI TONY
104 JUDSON STREET
MALDEN, MA 02148

078 370 006
MAC THUY CAM MAC JIMMY CAM
102 JUDSON ST
MALDEN, MA 02148

078 370 007
DENH DIP TROI
53 WESTWOOD ST
BURLINGTON, MA 01803

078 370 008
DOLKAR SHARLUNG TRS
94-96 JUDSON ST
MALDEN, MA 02148

078 370 009
WONG KWOK WING
90 JUDSON ST
MALDEN, MA 02148

078 370 010
PALJORWA TENZIN K
86-88 JUDSON ST
MALDEN, MA 02148

078 370 011
BENNETT MALCOLM J
97 HIGH STREET
MALDEN, MA 02148

078 370 012
DENTREMONT CHARLES F & PHYLLIS A TRS
101 HIGH STREET
MALDEN, MA 02148

078 370 013
DEGUIRE JAMES R
105 HIGH STREET
MALDEN, MA 02148

065 315 519 2
FOX ERIK
25-2 JAMES ST
MALDEN, MA 02148

065 315 519 3
MUSSER BENJAMIN M
25-3 JAMES ST
MALDEN, MA 02148

065 315 519 4
MIN JOSHUA C
25-4 JAMES STREET
MALDEN, MA 02148

065 315 519 5
DUAN HAORAN
25-5 JAMES STREET
MALDEN, MA 02148

065 315 519 6
HO PEIQUAN
25-6 JAMES ST
MALDEN, MA 02148

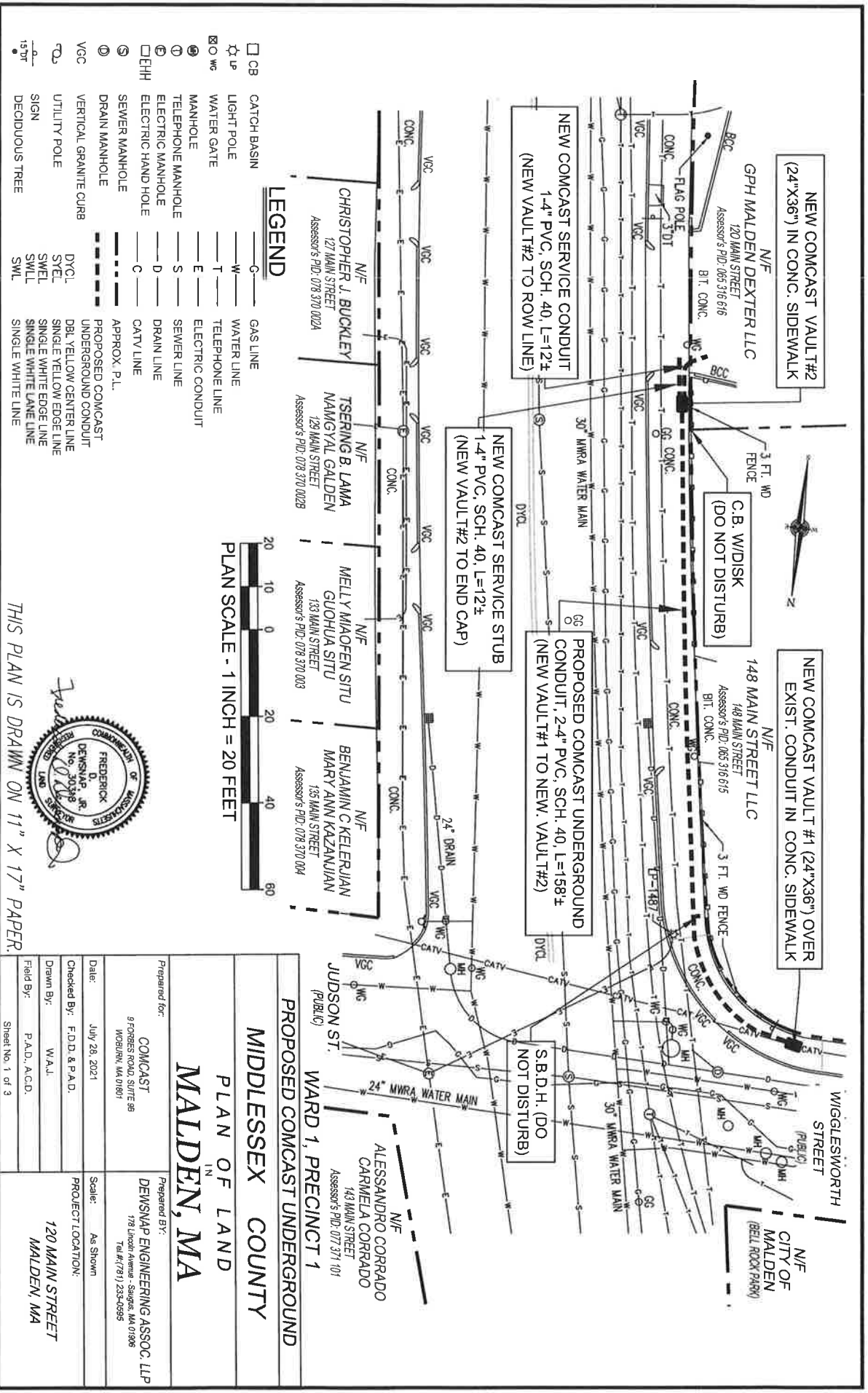
065 315 519 7
QUADRI AMINA
25-7 JAMES STREET
MALDEN, MA 02148

065 315 519 8
TRAN TAN-QUY
25-8 JAMES ST
MALDEN, MA 02148

065 315 519 9
LI YING
25 JAMES ST UNIT 9
MALDEN, MA 02148

065 315 519 10
LIKOV RIFAT H
25-10 JAMES ST
MALDEN, MA 02148

065 315 519 11
MONTEZ ALLISON LAROSA
25 -11 JAMES STREET
MALDEN, MA 02148



- LEGEND**
- ☐ CB CATCH BASIN
 - ☆ LP LIGHT POLE
 - ⊗ WG WATER GATE
 - ⊙ MH MANHOLE
 - ⊕ TM TELEPHONE MANHOLE
 - ⊖ EH ELECTRIC MANHOLE
 - ⊘ EHH ELECTRIC HAND HOLE
 - ⊙ S SEWER MANHOLE
 - ⊙ D DRAIN MANHOLE
 - ⊙ VGC VERTICAL GRANITE CURB
 - ⊙ U UTILITY POLE
 - ⊙ SIGN
 - ⊙ D.T. DECIDUOUS TREE

- G — GAS LINE
- W — WATER LINE
- T — TELEPHONE LINE
- E — ELECTRIC CONDUIT
- S — SEWER LINE
- D — DRAIN LINE
- C — CATV LINE
- — — — — APPROX. P.L.
- — — — — PROPOSED COMCAST UNDERGROUND CONDUIT
- — — — — DBL. YELLOW CENTER LINE
- — — — — SINGLE YELLOW EDGE LINE
- — — — — SINGLE WHITE EDGE LINE
- — — — — SINGLE WHITE LANE LINE
- — — — — SINGLE WHITE LINE



THIS PLAN IS DRAWN ON 11" X 17" PAPER.



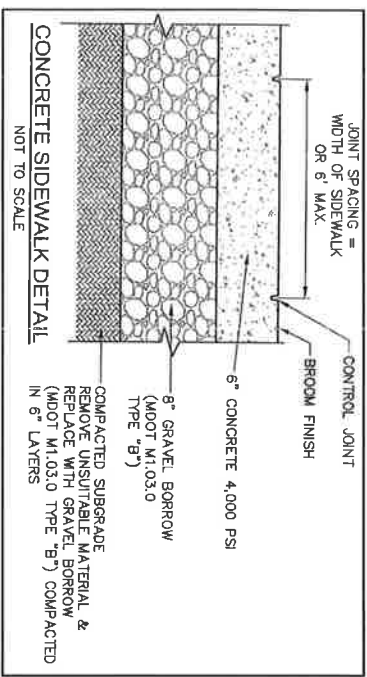
<p align="center">PROPOSED COMCAST UNDERGROUND</p> <p align="center">MIDDLESEX COUNTY</p> <p align="center">PLAN OF LAND</p> <p align="center">IN</p> <p align="center">MALDEN, MA</p>	
<p>Prepared for:</p> <p align="center">COMCAST</p> <p align="center">9 ROGERS ROAD, SUITE 46 WOBURN, MA 01897</p>	<p>Prepared By:</p> <p align="center">DEWISNAP ENGINEERING ASSOC. LLP</p> <p align="center">178 Lincoln Avenue - Saugus, MA 01906 Tel. # (781) 233-0995</p>
<p>Date:</p> <p align="center">July 26, 2021</p>	<p>Scale:</p> <p align="center">As Shown</p>
<p>Checked By:</p> <p align="center">F.D.D. & P.A.D.</p>	<p>PROJECT LOCATION:</p> <p align="center">120 MAIN STREET MALDEN, MA</p>
<p>Drawn By:</p> <p align="center">W.A.L.</p>	
<p>Field By:</p> <p align="center">P.A.D., A.C.D.</p>	
<p>Sheet No. 1 of 3</p>	

NOTES:

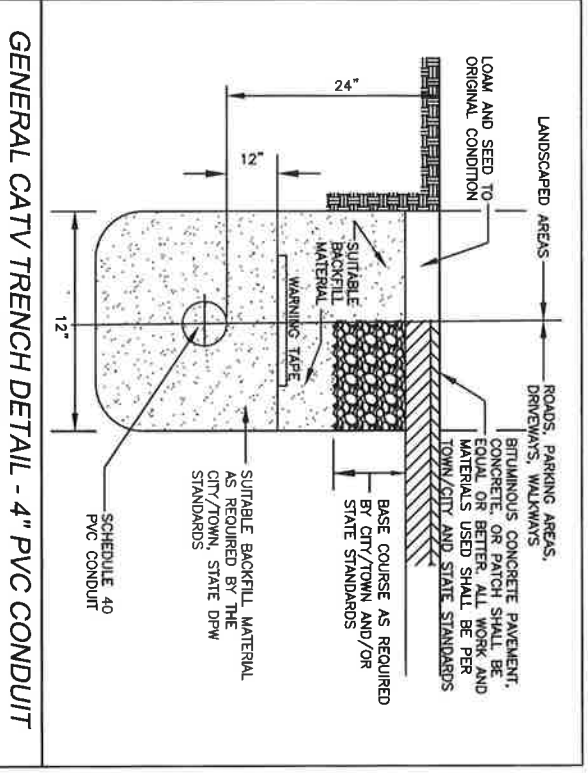
1. These plans were prepared from record data on file at the City of Malden Engineering Department and various utility companies.
2. The locations of underground utilities shown are based on the above referenced data. Locations of underground utilities/structures may vary from location herein and are not warranted to be accurate and/or correct. Additional buried utilities/structures may be encountered. No excavations were performed during the progress of this survey to locate buried utilities/structures.
3. Prior to any construction the Contractor shall notify Dig-SAFE at least 72 hours in advance at 811 (National Call Number) for verification of utilities and for field locations.
4. It is the responsibility of the utility contractor installing the Comcast underground conduit, manholes and vaults to notify those utility companies not associated with the Dig-SAFE system to verify the locations of their respective utilities. Also, the installing contractor shall be responsible for repairing or replacing any traffic signal loops damaged during the installation of the new Comcast underground conduits and vaults.
5. Prior to the start of construction, the Utility Contractor shall confirm the number of conduits and size of the conduits for this project with the Comcast Project Coordinator.
6. These plans were prepared for permitting purposes with the City of Malden, MA. After all utility lines have been marked out in the field the locations of the Proposed Comcast Underground Conduit and Vaults may be adjusted to fit with the existing utilities in the field.
7. All work to be performed is for the installation of the New Comcast underground conduit and vaults.
8. All work shall conform to the approving authorities Engineering and DPW Standards.
9. Upon completion of the trench work for the day, the contractor shall backfill, compact and pave the trench in all roadway and sidewalk areas and the work area shall be broom swept clean. In grassed areas the trench shall be loamed, seeded and hay mulch spread to keep the area stabilized until the grass has taken hold.
10. All concrete sidewalks disturbed or damaged by the placement of the Comcast Underground Conduit shall be repaired/replaced in kind in accordance with the City of Malden Standards and requirements. All Curbing, Signage, Road and Parking stripping and traffic signal conduits, wiring or detection loops disturbed during the placement of the Comcast Underground Conduit shall be restored/replaced to their original condition by the Utility Contractor. All property and street line bounds and markers expected to be damaged or disturbed by the placement of the Comcast Underground Conduit shall be located and tied in by a Massachusetts Registered Professional Land Surveyor prior to the work and shall be replaced by the Land Surveyor as part of the project.
11. Street/Property lines are not the result of a boundary survey and are considered to be approximate.

CONSTRUCTION NOTES:

1. Following the Dig-Safe "mark out" and field verification of the existing underground utilities, the Proposed 3" PVC, Schedule 40 Comcast Conduit shall be adjusted in the field by the utility contractor to avoid being located over any existing utilities.



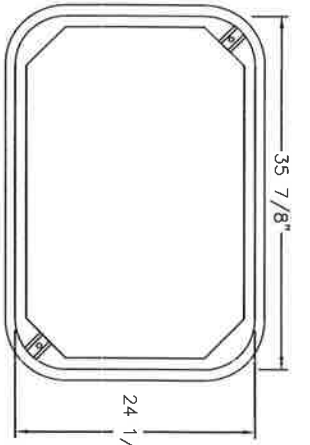
THIS PLAN IS DRAWN ON 11" X 17" PAPER.



DETAIL NOTES:

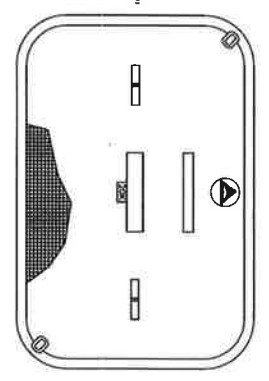
1. The details depicted are for general reference only. The final product used shall be the responsibility of the general contractor and shall be of equal or greater material than that depicted and shall conform to the Engineering/DPW Standards for the City/Town and/or State where the project is located.

WARD 1, PRECINCT 1	
PROPOSED COMCAST UNDERGROUND	
MIDDLESEX COUNTY	
PLAN OF LAND	
IN	
MALDEN, MA	
Prepared for:	Prepared By:
COMCAST 9 FORBES ROAD, SUITE 99 WOBURN, MA 01801	DEMSMAP ENGINEERING ASSOC. LLP 178 Lincoln Avenue, Suite MA 07908 Tel: (781) 235-4555
Date:	Scale:
July 28, 2021	As Shown
Checked By:	PROJECT LOCATION:
F.D.D. & P.A.D. W.A.J.	120 MAIN STREET MALDEN, MA
Drawn By:	
P.A.D., A.C.D.	
Field By:	
	Sheet No. 2 of 3

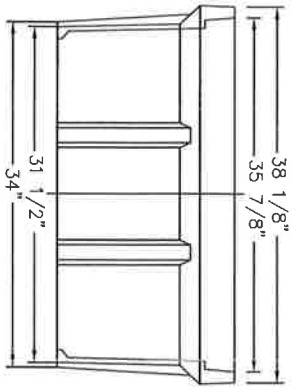
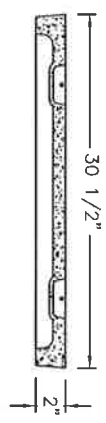


PLAN VIEW

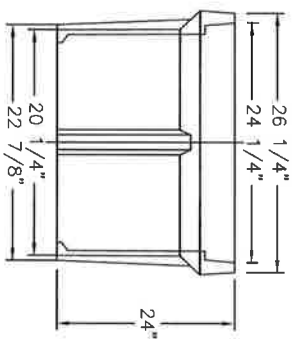
APPROX. WT. = 304 LBS.



POLYMER CONCRETE COVER



SIDE VIEW

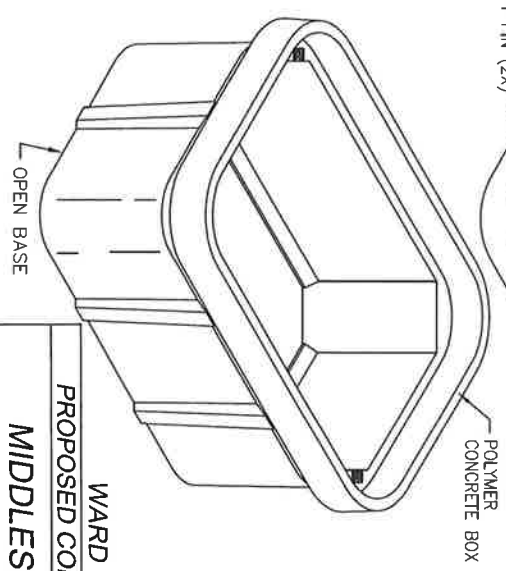
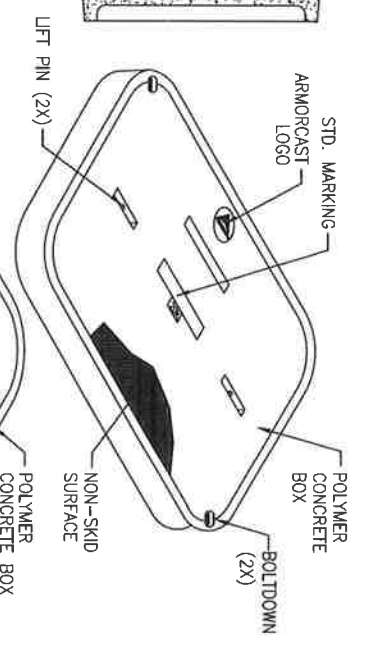


END VIEW

ARMORCAST 24" X 36" VAULT DETAIL

NOT TO SCALE

VAULT NOTES:
 VAULTS SHALL BE AS MANUFACTURED BY ARMORCAST PRODUCTS COMPANY, CHASTWORTH, CA, 24" X 36" X 24" DEEP, TIER 22, 20K LOAD RATED, MODEL #A6001974HDAPCX24.



THIS PLAN IS DRAWN ON 11" X 17" PAPER.



WARD 1, PRECINCT 1 PROPOSED COMCAST UNDERGROUND	
MIDDLESEX COUNTY PLAN OF LAND MALDEN, MA	
Prepared for: COMCAST # FORBES ROAD, SUITE 99 WOBURN, MA 01801	Prepared BY: DEWSNAP ENGINEERING ASSOC. LLP 178 Lincoln Avenue - Saugus, MA 01906 Tel: (978) 253-0595
Date: July 28, 2021	Scale: As Shown
Checked By: F.D.D. & P.A.D.	PROJECT LOCATION: 120 MAIN STREET MALDEN, MA
Drawn By: W.A.J.	
Field By: P.A.D., A.C.D.	
Sheet No. 3 of 3	