

RECEIVED

2019 JUL 30 P 5:27

CLERK OF THE  
MALDEN, MASS.

April 9, 2019

Malden City Council  
Malden City Hall  
110 Pleasant St.  
Malden, MA 02148

RE: Petition of ExteNet Systems, Inc. for Grant of Location for Telecommunications Wires and Appurtenances

Dear Members of the City Council:

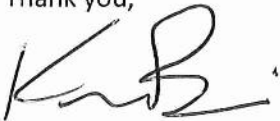
Pursuant to Massachusetts General Laws Chapter 166 section 22, please find enclosed the petition of ExteNet Systems, Inc. for grant of location for telecommunications wires and appurtenances to be attached to a street light pole within the City of Malden. Included with the petition are detailed plans that identify the location where ExteNet's proposed pole attachment will be placed.

ExteNet requests that the City schedule a public hearing on this petition, subject to the requirements of Massachusetts General Laws, Section 22. Those requirements prescribe that the City provide written notice to all owners of real estate, abutting that part of each street upon or across which, wires appurtenances are proposed to be located. It is my understanding that the City Assessor will be able to produce this list, and I will work with the City Clerk to ensure the letters are sent per the requirements of the Town.

For the convenience of the City Council, ExteNet has provided a proposed form of order.

Should you have any questions, or would like any additional information prior to the Public hearing please do not hesitate to contact me at (617) 680-5464. I will be present at the public hearing to answer any questions you may have as well.

Thank you,



Keenan Brinn

NB+C Contractor as agent for ExteNet Systems, Inc.

PETITION FOR LOCATIONS FOR TELECOMMUNICATIONS WIRES AND APPURTENANCES

To the CITY COUNCIL OF THE CITY OF MALDEN, MASSACHUSETTS

Pursuant to Massachusetts General Laws, Chapter 166 and the City Ordinance of the City of Malden, Massachusetts, EXTENET SYSTEMS, INC., requests that it be granted locations for and permission to construct and maintain telecommunications wires and appurtenances, including remote nodes and pole top antennas; to be attached to existing streetlight poles, located upon and along the following public ways within the City of Malden, as indicated on the attached plans.

Wherefore, Petitioner requests that, after due notice and hearing as provided by law, that it be granted locations for and permission to construct the telecommunications wires and appurtenances upon and along the public ways within the City of Malden, shown on the plan, filed herewith. ExteNet Systems, Inc. also submitted additional information in support of this petition.

Respectfully submitted,

ExteNet Systems, Inc.

By: Keenan Brinn  
NB+C Consultant

## **REGULATORY STATUS OF EXTENET SYSTEMS, INC.**

### Description of ExteNet Services and Facilities

ExteNet's primary telecommunications service offering is point-to-point transport of Radio Frequency ("RF") signals for Wireless Service Provider (WSP) customers via ExteNet's antenna system networks which are generally constructed with a number of remote communications nodes that are located to meet the specified needs of one or more WSP customers and connected by fiber optic cabling to a network hub facility containing communications head-end equipment that, in turn, provides bi-directional RF-optical signal conversion and interconnectivity between the network and the WSP customers' base transceiver station or other equipment. These services can be deployed to address long-standing service coverage problems such as "dead spots" in WSPs' cellular and/or PCS networks, and to enhance the WSPs' call-handling capability in the same service areas. ExteNet's network services can also improve wireless access to emergency services.

ExteNet's network telecommunications facilities consist of three primary components:

1. remote communications nodes comprising low elevation, low power equipment (signal converters, transceivers and antennas), to transmit, receive and convert optical signals to RF signals and RF signals to optical signals bi-directionally, typically mounted on existing utility poles;
2. fiber optic cables also typically attached to existing utility poles, but sometimes placed underground in existing or new conduits; and
3. the network head-end equipment, which is typically housed in a hub facility located within or on premises leased from private parties or municipalities.

These primary network elements are supported by various items of ancillary equipment, e.g., primary and back-up power supplies, connectors, enclosures, mounting hardware, etc. Each of these components is integral to any given ExteNet network.

The network equipment employed by ExteNet is not dissimilar in size, weight or overall appearance to items routinely installed on utility poles by Verizon and other telecommunications and electric service providers. For example, ExteNet's communications nodes and battery back-up facilities attached to poles are not unlike power supply boxes attached to poles by cable providers and other providers of telecommunications services. Pole top appurtenances, such as pole top antennas and extenders, also have been installed from time to time by utilities. As discussed below, the combination of wired and wireless technology to transport and deliver telecommunications services has been employed by Verizon and other regulated telecommunications service providers to offer regulated intrastate telecommunications services.

### ExteNet's Regulatory Status as a Telecommunications Service Provider

ExteNet is a Regulated Provider of Intrastate Telecommunications Services Subject to the Requirements of the Massachusetts Department of Telecommunications and Cable and not an Unregulated Provider of Wireless services.

ExteNet is registered with the Massachusetts Department of Telecommunications and Cable ("DTC"), formerly the Department of Telecommunications and Energy ("DTE") as a provider of intrastate telecommunications services. ExteNet has a tariff on file with the DTC. ExteNet is listed on the DTC website as a regulated provider of telecommunications services.

The DTC recognizes ExteNet and similar entities as regulated providers of telecommunications services, subject to its regulation under General Laws Chapters 159 and 166, and related rules and orders. For example, ExteNet is required to adhere to DTC requirements relating to the filing of tariffs. Enclosed is a letter from Michael Isenberg, Director of the DTC, which confirms that ExteNet is and remains subject to DTC jurisdiction as a provider of intrastate telecommunications services.

ExteNet also has been recognized as a regulated provider of intrastate telecommunications services in a number of other states. To date, ExteNet has been authorized to provide intrastate telecommunications services in neighboring states such as Connecticut and Rhode Island, as well as in New York, California and numerous states in all regions of the country.

As a regulated provider of intrastate telecommunications services, ExteNet is authorized under G.L.C.166, §21 to place its wires and related equipment in public ways.

#### Applicable State Law

Municipal Approval of the Construction and Placement of ExteNet's Wires and Related Pole Attachments is governed by Massachusetts General Laws Chapter 166, Sections 21-22.

As a regulated provider of intrastate telecommunications services, ExteNet is authorized under Chapter 166, Section 21 to construct lines and other facilities upon, along, under and across the public ways. Such construction must not incommode the public use of public ways.

In order to obtain municipal permission to construct its telecommunications facilities in public ways, ExteNet must file a written petition with the selectmen of a City or the City Council of alderman or like body of a Town, such as the Malden City Council, pursuant to Chapter 166, Section 22. This same process has been employed routinely by carriers in the case of Verizon, Eversource National Grid, in the case of poles, wires, conduits and related appurtenances. In carrying out the permit-granting authority conferred by the General Court, municipalities act as public officers under a delegation of power from the General Court and not as agents of the municipality. Municipalities may adopt reasonable regulations for the erection of facilities by telecommunications carriers having authority to place their facilities in or under public ways.

ExteNet stands ready, willing and able to comply with the reasonable requirements of the City under General Laws Chapter 166, Sections 21-22 and related requirements imposed by the City applicable to grants of location by the CityCity Council.



**COMMONWEALTH OF MASSACHUSETTS  
DEPARTMENT OF TELECOMMUNICATIONS AND CABLE**

ONE SOUTH STATION  
BOSTON, MA 02110  
(617) 305-3580  
www.mass.gov/dtc

DEVAL L. PATRICK  
GOVERNOR

TIMOTHY P. MURRAY  
LIEUTENANT GOVERNOR

DANIEL O'CONNELL  
SECRETARY OF HOUSING AND  
ECONOMIC DEVELOPMENT

DANIEL C. CRANE  
DIRECTOR OF CONSUMER AFFAIRS  
AND BUSINESS REGULATION

SHARON E. GILLETT  
COMMISSIONER

December 19, 2007

Aian D. Mandl, Esq.  
Smith & Duggan LLP  
Lincoln North  
55 Old Bedford Road  
Lincoln, MA 01773

Re: ExteNet Systems, Inc. Regulatory Status

Dear Mr. Mandl:

This letter verifies that ExteNet Systems, Inc. ("ExteNet") is an authorized provider of intrastate telecommunications services in Massachusetts, subject to state entry and tariffing requirements. ExteNet is duly registered with the Massachusetts Department of Telecommunications and Cable ("Department"). As required by M.G.L. c.159, §19 and the Department's entry policies, ExteNet has a valid registration statement and tariff on file with the Department, which permits it to conduct business in the Commonwealth.

Sincerely,

A handwritten signature in cursive script that reads "Michael Isenberg".

Michael Isenberg  
Director  
Competition Division

## **ADDITIONAL MATERIAL**

### **PROJECT DESCRIPTION**

The ExteNet Systems, Inc. open architecture antenna system will provide wireless voice and data transmission services for all Cellular and PCS Wireless Service Providers. The ExteNet system is an unobtrusive and aesthetically pleasing network architecture that supports all protocols (TDMA, CDMA, GSM, etc.) for all Wireless Service Providers.

Installed telecommunication facilities will include small remote nodes for transmitting RF signal, with an unobtrusive pole top antenna on light poles and utility poles.

The network will be installed using typical and commercially accepted methods. The proposed network will have two components for consideration.

The initial construction of the network deployment will be the actual node equipment installation. In each of the locations, there will be two primary components to each node installation. First, each location will have an antenna installed at the top of the pole. From each antenna installation, there will be two ½-inch diameter RF cables which will be attached to the utility pole using approved "U-Guard," which will carry the RF cable to the Radio and Power back-up modules, also mounted to the existing pole.

**PETITION OF EXTENET SYSTEMS, INC. FOR GRANT OF LOCATION TO INSTALL A  
SMALL CELL WIRELESS TELECOMMUNICATIONS FACILITY**

To the **City Council of the City of MALDEN**, Massachusetts

Respectfully represents **EXTENET SYSTEMS, INC.** a company incorporated for the purpose of constructing and operating wireless communications systems that it desires to construct a small cell wireless telecommunications facility in the public way hereinafter specified.

WHEREFORE, your petitioner prays that, after due notice and hearing as provided by law, the City Council may by Order grant to your petitioner permission to construct, and a location for, such a small cell wireless telecommunications facility with necessary cables, said small cell wireless telecommunications facility to be located as shown on the plan made by **Network Building & Consulting** and filed herewith, on the following public way of said City:

**In the public right-of-way at 52-54 Malden St., Malden, MA, Map 038, Block 208, Lot 814**

W/O # \_\_\_\_\_

**EXTENET SYSTEMS, INC.**

BY \_\_\_\_\_  
Keenan Brinn  
Network Building & Consulting, LLC  
Agent for Extenet Systems, Inc.

**Dated this \_\_\_\_ day of \_\_\_\_\_, 2019**

City of **MALDEN**, Massachusetts

Received and filed \_\_\_\_\_, 2019

**ORDER FOR GRANT OF LOCATION TO INSTALL A SMALL CELL WIRELESS  
TELECOMMUNICATIONS FACILITY**

WHEREAS, **EXTENET SYSTEMS, INC.** has petitioned for permission to construct a small cell wireless telecommunications facility to be attached to a street light pole located on a public way of the City of Malden hereinafter specified, and notice has been given and a hearing held on said petition as required by law.

It is ORDERED that **EXTENET SYSTEMS, INC.** be and hereby is granted permission to construct and a location for, a wireless telecommunications facility with necessary wires and cables attached to a street light pole owned by National Grid, located in the public way at

**52-54 Malden St., Malden, MA, Map 038, Block 208, Lot 814.**

W/O # \_\_\_\_\_

All construction work under this Order shall be in accordance with the following conditions:

1. The small cell wireless telecommunications facility shall be located as shown on the plan made by **Network Building & Consulting Engineering Services** on file with said petition.
2. Said shall comply with the requirements of existing by-laws and such as may be adopted governing the construction and maintenance of such wireless telecommunications facilities.
3. All work shall be done to the satisfaction of the City Council or such officer or officers as it may appoint to supervise the work.

1 \_\_\_\_\_  
2 \_\_\_\_\_  
3 \_\_\_\_\_  
4 \_\_\_\_\_  
5 \_\_\_\_\_

City Council  
City of Malden



**CERTIFICATE**

We hereby certify that the foregoing Order was adopted after due notice and a public hearing as prescribed by Section 22 of Chapter 166 of the General Laws and any additions thereto or amendments thereof, to wit: after written notice of the time and place of the hearing mailed at least seven days prior to the date of the hearing by the City Council to all owners of real estate abutting upon that part of the way or ways upon, along or across which the wireless telecommunications facility is to be constructed under said Order, as determined by the last preceding assessment for taxation, and a public hearing held on the \_\_\_\_ day of \_\_\_\_\_, 2019 at \_\_\_\_\_ in said City.

1 \_\_\_\_\_  
2 \_\_\_\_\_  
3 \_\_\_\_\_  
4 \_\_\_\_\_  
5 \_\_\_\_\_

City Council  
City of Malden

**CERTIFICATE**

I hereby certify that the foregoing are true copies of the Order of the **City Council** of the City of **MALDEN**, Massachusetts, duly adopted on the \_\_\_\_ day of \_\_\_\_\_, 2019 and recorded with the records of location Orders of said City, Book \_\_\_\_\_, Page \_\_\_\_\_ and of the certificate of notice of hearing thereon required by Section 22 of Chapter 166 of the General Laws and any additions thereto or amendments thereof, as the same appear of record.

Attest: \_\_\_\_\_  
Clerk of the City of **MALDEN**, Massachusetts



LATITUDE: 42.419511°  
LONGITUDE: -71.078168°

**NE-MA-BSTN2N01-TMO**  
**NE-MA-BSTN2N01-02403 / NE2067BA\_21LAB**  
**PROPOSED SMALL CELL NODE**  
52 MALDEN STREET, MALDEN, MA 02148  
CITY OF MALDEN, MIDDLESEX COUNTY



Know what's below.  
Call before you dig.

ENGINEERING FIRM

**TOTALLY COMMITTED.**

NB+C ENGINEERING SERVICES, LLC.  
100 APOLLO DRIVE, SUITE 303  
CHELMSFORD, MA 01824  
(978) 856-8308

APPLICANT

extenet SYSTEMS  
3030 WARRENVILLE ROAD, SUITE 340  
LISLE, IL 60532  
(630) 505-3800

SITE INFORMATION

NE-MA-BSTN2N01-02403  
TMO ID: NE2067BA\_21LAB  
52 MALDEN STREET  
MALDEN, MA 02148  
MIDDLESEX COUNTY

DESIGN RECORD

REV	DATE	DESCRIPTION	BY
2	07/23/19	POLE REPLACEMENT	CJI
1	05/15/19	FOC REVISED	NSB
0	04/17/19	PRELIMINARY	DFR

PROFESSIONAL STAMP

ENGINEER

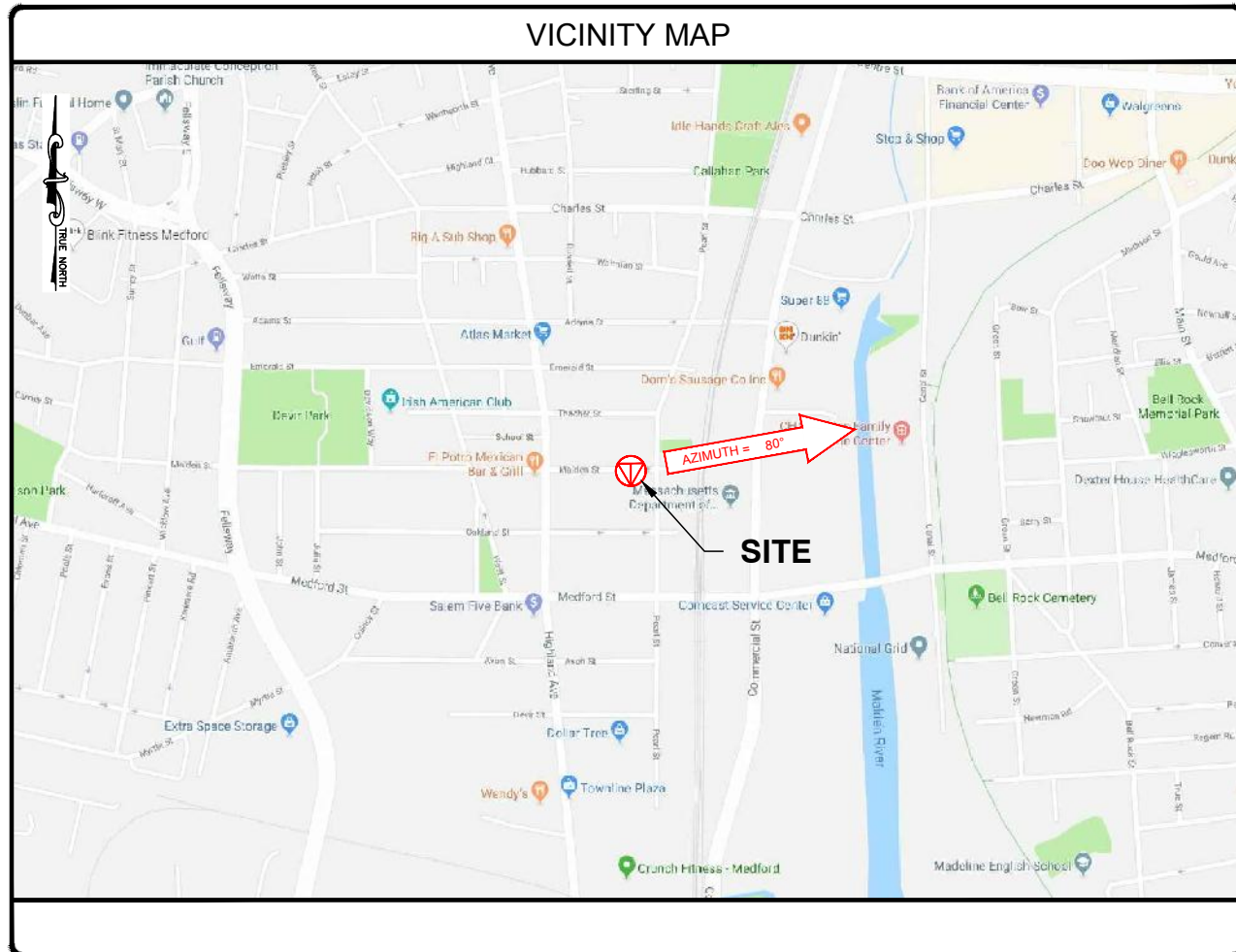
KRUPAKARAN KOLANDAIVELU, P.E.  
MA PROFESSIONAL ENGINEER LIC. #50019

SHEET TITLE

**TITLE SHEET**

SHEET NUMBER

SHEET  
**01 OF 05**



PROJECT INFORMATION

PROJECT NAME:	NE-MA-BSTN2N01-TMO
POLE TAG:	3536
LATITUDE:	42.419511°
LONGITUDE:	-71.078168°
JURISDICTION:	CITY OF MALDEN MIDDLESEX COUNTY
EXTENET PROJECT MANAGER:	RICK ANGELINI 3030 WARRENVILLE RD, SUITE 340 LISLE, IL 60532 NOC: (866) 892-5327
HUB LOCATION:	HUB: NEH0004A 329 SECOND STREET EVERETT, MA 02149
ELECTRIC COMPANY:	NATIONAL GRID

CODE COMPLIANCE

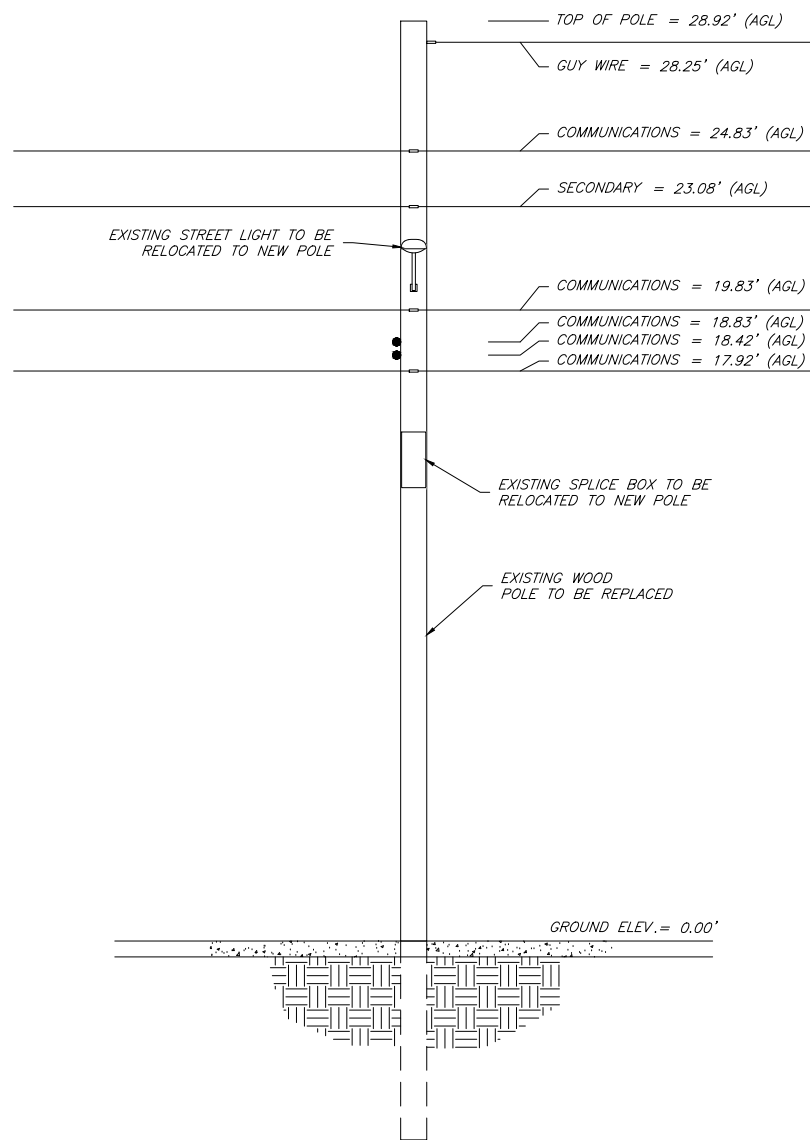
ALL WORK AND MATERIALS SHALL BE PERFORMED AND INSTALLED IN ACCORDANCE WITH THE CURRENT EDITIONS OF THE FOLLOWING CODES AS ADOPTED BY THE LOCAL GOVERNING AUTHORITIES. NOTHING IN THESE PLANS IS TO BE CONSTRUED TO PERMIT WORK NOT CONFORMING TO THE LATEST EDITIONS OF THE FOLLOWING CODES.

<ul style="list-style-type: none"> <li>2015 INTERNATIONAL BUILDING CODE (MASSACHUSETTS AMENDED 9TH EDITION)</li> <li>2017 NATIONAL ELECTRICAL CODE</li> <li>NFPA 1-2015 EDITION</li> <li>2015 IFC - REFERENCE 527 CMR</li> <li>AMERICAN CONCRETE INSTITUTE</li> <li>AMERICAN INSTITUTE OF STEEL CONSTRUCTION</li> <li>MANUAL OF STEEL CONSTRUCTION 13TH EDITION</li> </ul>	<ul style="list-style-type: none"> <li>ANSI/TIA-222-G</li> <li>TIA 607</li> <li>INSTITUTE FOR ELECTRICAL &amp; ELECTRONICS ENGINEER 81</li> <li>IEEE C2 NATIONAL ELECTRIC SAFETY CODE LATEST EDITION</li> <li>TELECORDIA GR-1275</li> <li>ANSI/T 311</li> </ul>
--	---

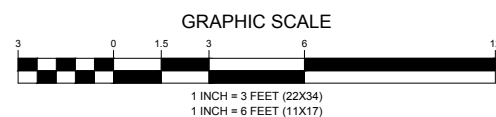
DRAWING INDEX

01	TITLE SHEET
02	NOTES
03	ELEVATION
04	ANTENNA & EQUIPMENT DETAILS
05	ELECTRICAL & GROUNDING DETAILS

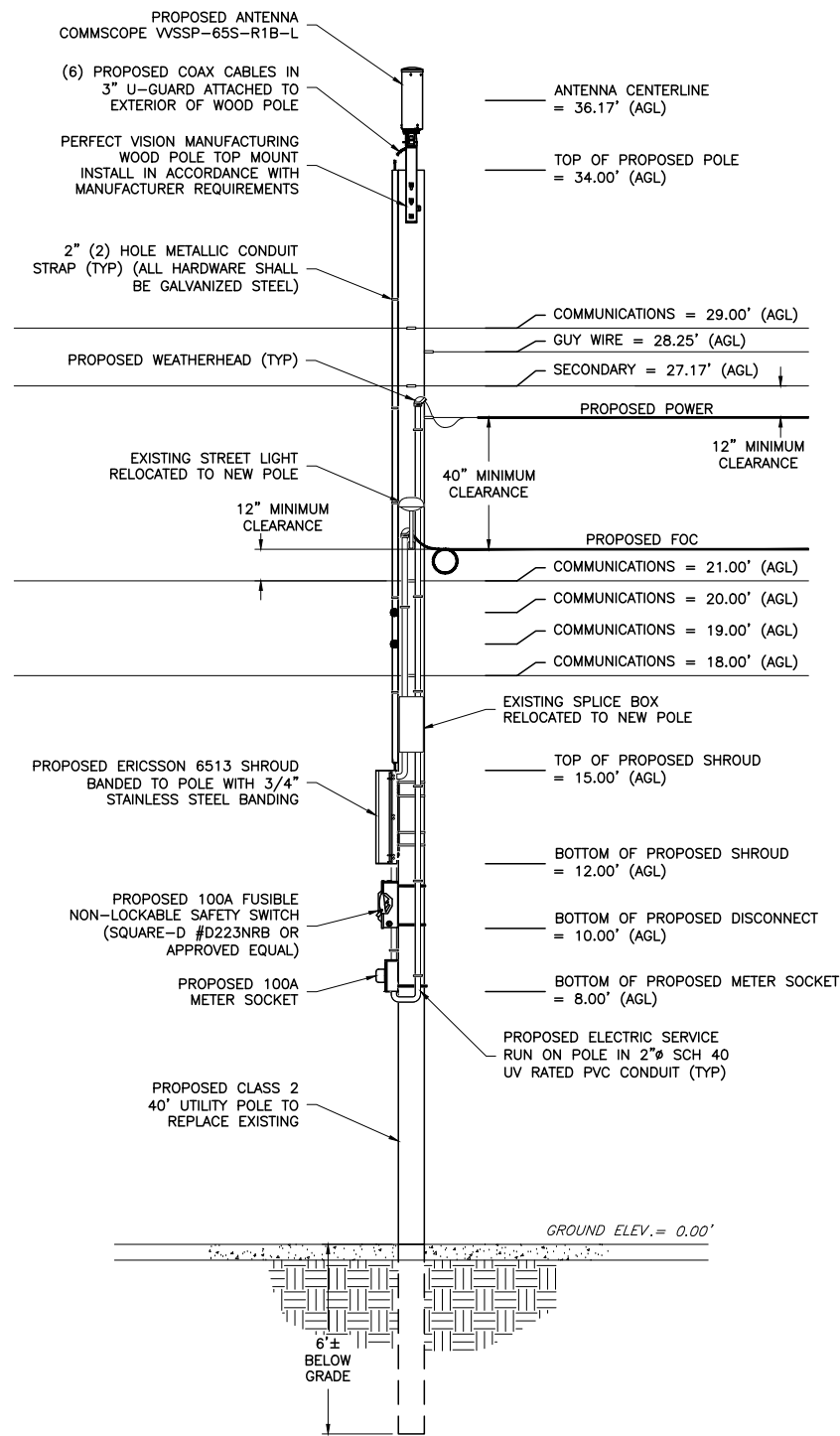




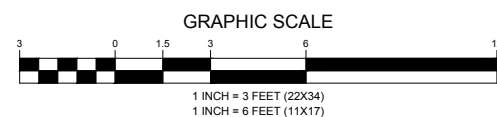
EXISTING ELEVATION (LOOKING SOUTH)



ATTACHMENT HEIGHTS, ANTENNA AND EQUIPMENT LOCATIONS  
PENDING MAKE-READY AND STRUCTURAL ANALYSIS



PROPOSED ELEVATION (LOOKING SOUTH)



EXISTING CONDITIONS

NOTES:

- EQUIPMENT ELEVATION IS SUBJECT TO MAKE READY PERFORMED BY POLE OWNER.
- NEW PLACARD SHALL BE OSHA COMPLIANT AND DISPLAY THE FOLLOWING INFORMATION: TRANSMITTING SYSTEM, EQUIPMENT OWNER & PROPER CONTACT INFORMATION. INSTALL PER UTILITY COMPANY REQUIREMENTS AND VERIFY EXACT MOUNTING HEIGHT IN FIELD.
- MAINTAIN MINIMUM OF 30" FROM NEAREST COMMUNICATIONS LINE TO TOP OF PROPOSED SHROUD.
- MAINTAIN MINIMUM OF 40" FROM TOP COMMUNICATION ATTACHMENT TO BOTTOM SECONDARY POWER ATTACHMENT.
- MAINTAIN MINIMUM OF 12" CLEARANCE IN ANY DIRECTION FROM ANTENNA TO NEAREST 15KV POWER CONNECTION.
- MAINTAIN MINIMUM OF 26" CLEARANCE IN ANY DIRECTION FROM ANTENNA TO NEAREST 35KV POWER CONNECTION.
- MAINTAIN MINIMUM OF 30" CLEARANCE FROM TOP SECONDARY POWER CONNECTION TO NEAREST PRIMARY POWER CONNECTION.
- MAINTAIN MINIMUM OF 12" FROM TOP SECONDARY POWER CONNECTION TO ANY ADDITIONAL SECONDARY POWER CONNECTION.
- MAINTAIN MINIMUM OF 12" FROM TOP COMMUNICATIONS LINE TO ANY ADDITIONAL COMMUNICATIONS LINE.
- MAINTAIN MINIMUM OF 8' & MAXIMUM OF 9' FROM GROUND LEVEL TO BOTTOM OF METER LOCATION.
- EQUIPMENT TO BE INSTALLED ON OPPOSITE SIDE OF TRAFFIC FLOW.

ENGINEERING FIRM



APPLICANT



SITE INFORMATION

NE-MA-BSTN2N01-02403  
TMO ID: NE2067BA\_21LAB  
52 MALDEN STREET  
MALDEN, MA 02148  
MIDDLESEX COUNTY

DESIGN RECORD

REVISIONS

REV	DATE	DESCRIPTION	BY
2	07/23/19	POLE REPLACEMENT	CJI
1	05/15/19	FOC REVISED	NSB
0	04/17/19	PRELIMINARY	DFR

PROFESSIONAL STAMP

ENGINEER

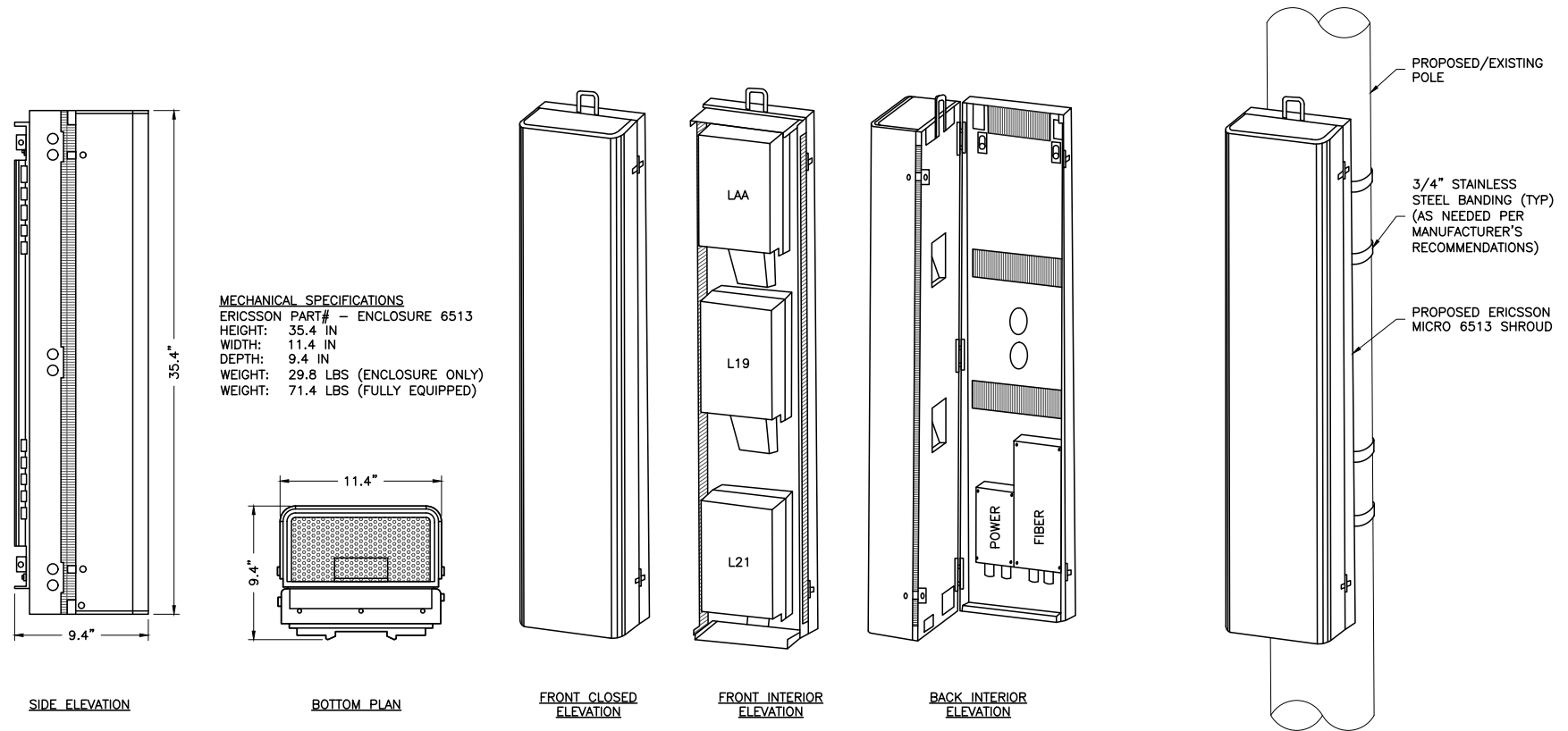
KRUPAKARAN KOLANDAIVELU, P.E.  
MA PROFESSIONAL ENGINEER LIC. #50019

SHEET TITLE

ELEVATION

SHEET NUMBER

SHEET  
03 OF 05



**MECHANICAL SPECIFICATIONS**  
 ERICSSON PART# - ENCLOSURE 6513  
 HEIGHT: 35.4 IN  
 WIDTH: 11.4 IN  
 DEPTH: 9.4 IN  
 WEIGHT: 29.8 LBS (ENCLOSURE ONLY)  
 WEIGHT: 71.4 LBS (FULLY EQUIPPED)

SIDE ELEVATION

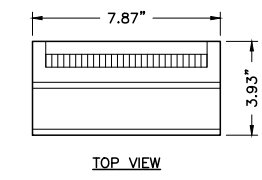
BOTTOM PLAN

FRONT CLOSED ELEVATION

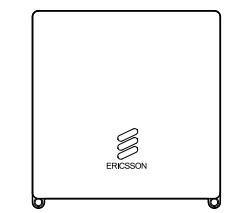
FRONT INTERIOR ELEVATION

BACK INTERIOR ELEVATION

PROPOSED/EXISTING POLE  
 3/4" STAINLESS STEEL BANDING (TYP) (AS NEEDED PER MANUFACTURER'S RECOMMENDATIONS)  
 PROPOSED ERICSSON MICRO 6513 SHROUD

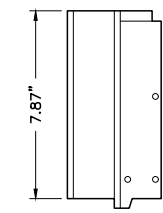


TOP VIEW



FRONT ELEVATION

WEIGHT = 9.92LBS



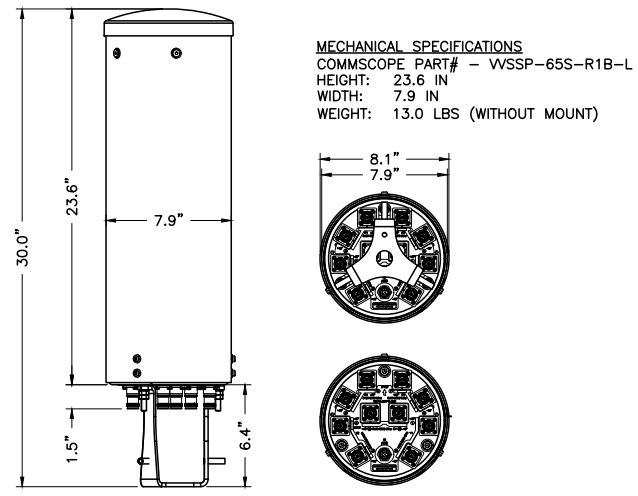
SIDE ELEVATION

ERICSSON RADIO				
2203 B66 & B25	AC: 100-250V	NORMAL VOLTAGE RANGE AT RADIO INPUT CONNECTOR DC: -36 TO -58.5	NOMINAL VOLTAGE: -48V DC	95W TYPICAL / 130W MAX
2205 B46	AC: 100-250V	NORMAL VOLTAGE RANGE AT RADIO INPUT CONNECTOR DC: -36 TO -58.5	NOMINAL VOLTAGE: -48V DC	75W TYPICAL / 130W MAX

3 ERICSSON REMOTE RADIO UNIT (RRU)  
 04 NTS

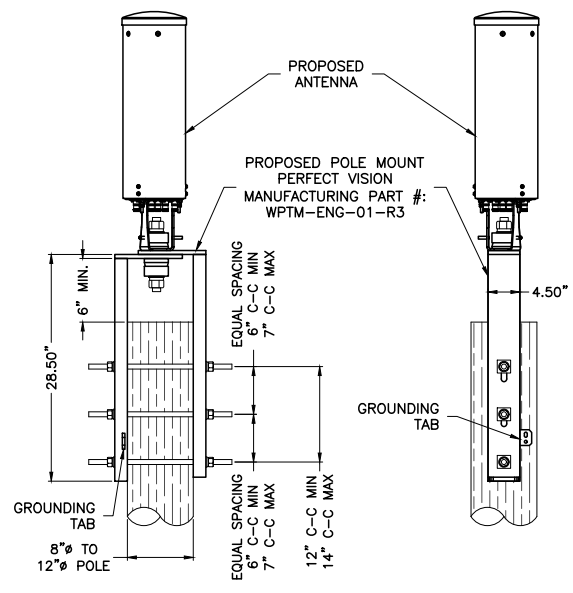
1 ERICSSON MICRO 6513 SHROUD DETAIL  
 04 NTS

2 EQUIPMENT MOUNTING DETAIL  
 04 NTS

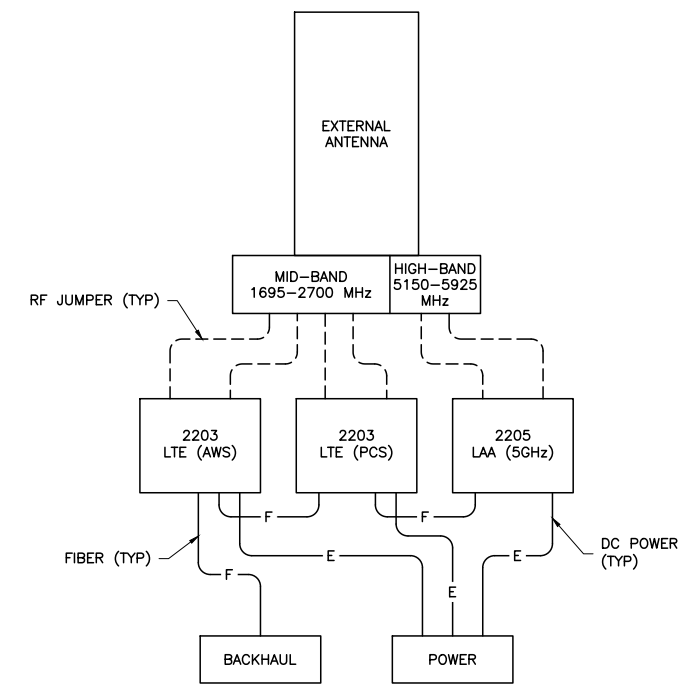


**MECHANICAL SPECIFICATIONS**  
 COMMSCOPE PART# - WVSP-65S-R1B-L  
 HEIGHT: 23.6 IN  
 WIDTH: 7.9 IN  
 WEIGHT: 13.0 LBS (WITHOUT MOUNT)

4 ANTENNA DETAIL  
 04 NTS

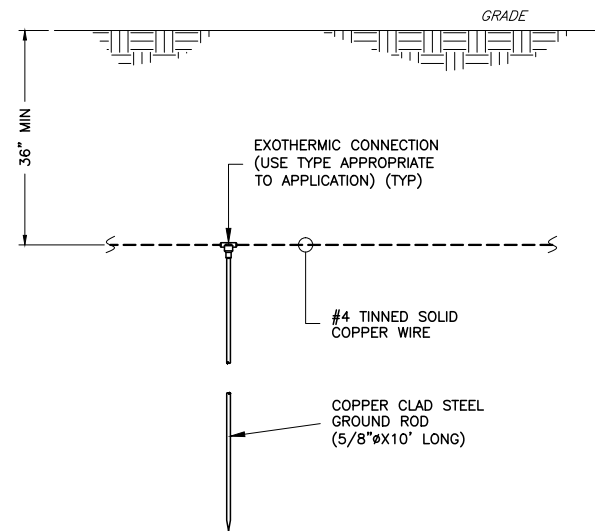


5 ANTENNA MOUNT DETAIL  
 04 NTS

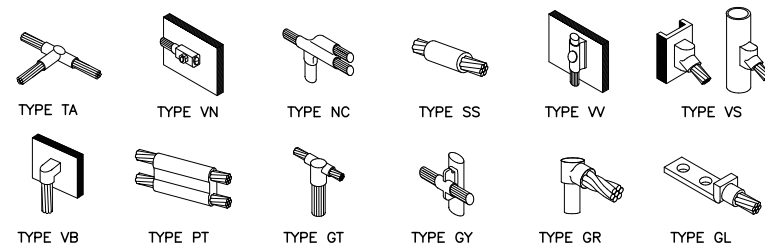


6 WIRING DIAGRAM  
 04 NTS

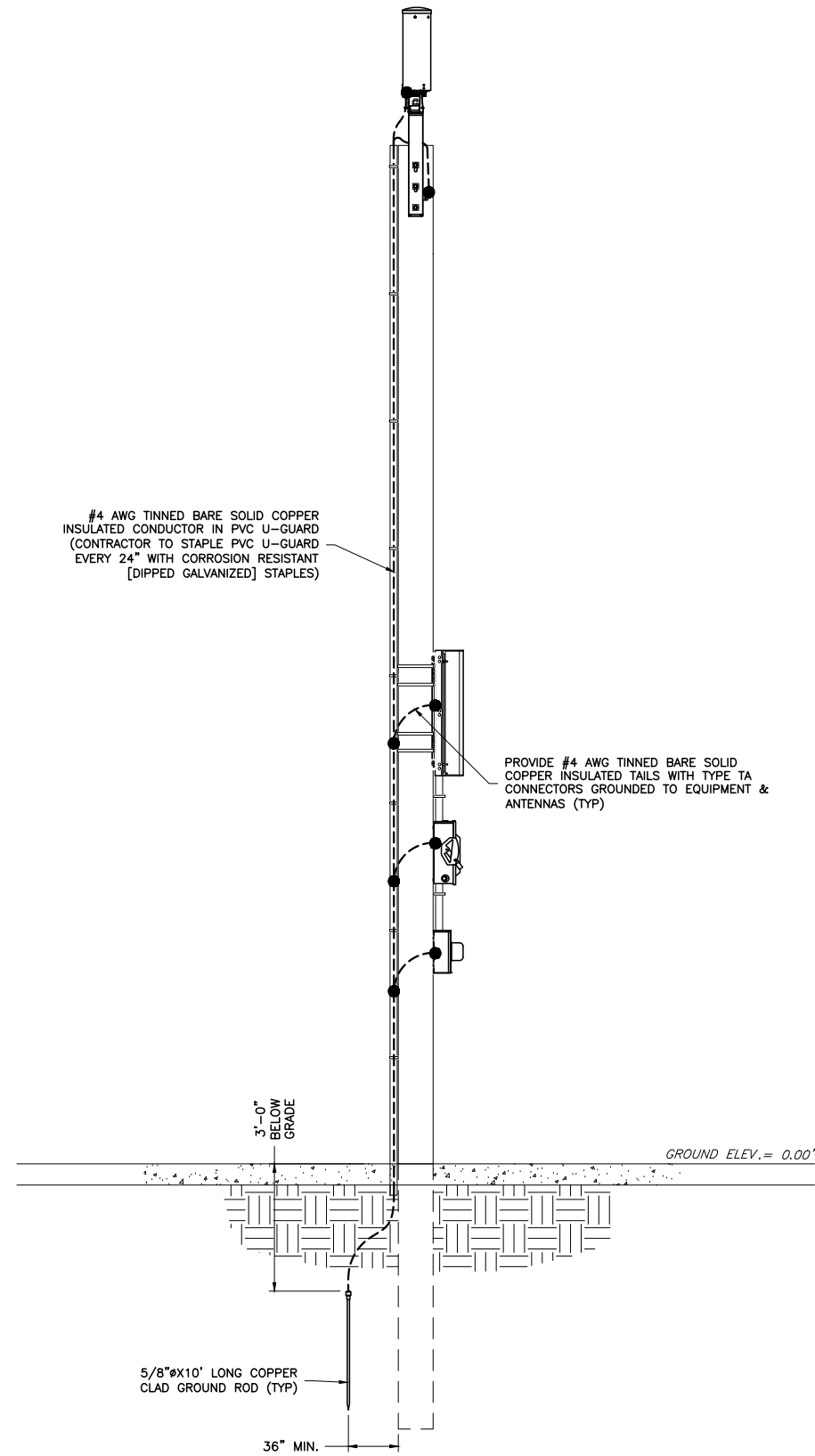
ENGINEERING FIRM	 <b>TOTALLY COMMITTED.</b> NB+C ENGINEERING SERVICES, LLC. <small>100 APOLLO DRIVE, SUITE 303          CHELMSFORD, MA 01824          (978) 856-8308</small>																						
	APPLICANT	 YOUR NETWORK. EVERYWHERE. SYSTEMS 3030 WARRENVILLE ROAD, SUITE 340 LISLE, IL 60532 (630) 505-3800																					
SITE INFORMATION	NE-MA-BSTN2N01-02403 TMO ID: NE2067BA_21LAB 52 MALDEN STREET MALDEN, MA 02148 MIDDLESEX COUNTY																						
DESIGN RECORD	<table border="1"> <thead> <tr> <th colspan="4">REVISIONS</th> </tr> <tr> <th>REV</th> <th>DATE</th> <th>DESCRIPTION</th> <th>BY</th> </tr> </thead> <tbody> <tr> <td>2</td> <td>07/23/19</td> <td>POLE REPLACEMENT</td> <td>CJI</td> </tr> <tr> <td>1</td> <td>05/15/19</td> <td>FOC REVISED</td> <td>NSB</td> </tr> <tr> <td>0</td> <td>04/17/19</td> <td>PRELIMINARY</td> <td>DFR</td> </tr> </tbody> </table>			REVISIONS				REV	DATE	DESCRIPTION	BY	2	07/23/19	POLE REPLACEMENT	CJI	1	05/15/19	FOC REVISED	NSB	0	04/17/19	PRELIMINARY	DFR
	REVISIONS																						
REV	DATE	DESCRIPTION	BY																				
2	07/23/19	POLE REPLACEMENT	CJI																				
1	05/15/19	FOC REVISED	NSB																				
0	04/17/19	PRELIMINARY	DFR																				
PROFESSIONAL STAMP	<table border="1"> <tr> <td> </td> <td> </td> <td> </td> <td> </td> </tr> </table>																						
ENGINEER	KRUPAKARAN KOLANDAIVELU, P.E. MA PROFESSIONAL ENGINEER LIC. #50019																						
SHEET TITLE	<b>ANTENNA &amp; EQUIPMENT DETAILS</b>																						
SHEET NUMBER	SHEET <b>04 OF 05</b>																						



1 TYPICAL GROUND ROD DETAIL  
05 NTS



2 GROUNDING CONNECTION DETAILS  
05 NTS



3 ELECTRICAL & GROUNDING RISER DIAGRAM  
05 NTS

NOTE:  
EXISTING/PROPOSED UTILITY WIRES,  
SIGNS, AND EXISTING EQUIPMENT  
NOT SHOWN FOR CLARITY.

ENGINEERING FIRM

**NB+C**  
TOTALLY COMMITTED.

NB+C ENGINEERING SERVICES, LLC.  
100 APOLLO DRIVE, SUITE 303  
CHELMSFORD, MA 01824  
(978) 856-8308

APPLICANT

**extenet**™  
YOUR NETWORK  
EVERYWHERE.

SYSTEMS  
3030 WARRENVILLE ROAD, SUITE 340  
LISLE, IL 60532  
(630) 505-3800

SITE INFORMATION

NE-MA-BSTN2N01-02403  
TMO ID: NE2067BA\_21LAB  
52 MALDEN STREET  
MALDEN, MA 02148  
MIDDLESEX COUNTY

DESIGN RECORD

REVISIONS			
REV	DATE	DESCRIPTION	BY
2	07/23/19	POLE REPLACEMENT	CJI
1	05/15/19	FOC REVISED	NSB
0	04/17/19	PRELIMINARY	DFR

PROFESSIONAL STAMP

ENGINEER

KRUPAKARAN KOLANDAIVELU, P.E.  
MA PROFESSIONAL ENGINEER LIC. #50019

SHEET TITLE

**ELECTRICAL  
& GROUNDING  
DETAILS**

SHEET NUMBER

SHEET  
**05 OF 05**